

SEALED TOGGLE SWITCHES

NARROW SINGLE POLE TOGGLE FOR USE WHERE SPACE IS LIMITED

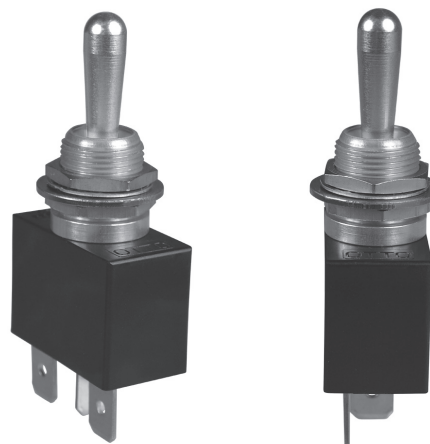
The toggle is ~35 percent narrower than OTTO's T7 toggle making it a great alternative for use in rugged, high-demanding applications where space is limited.

Sealed to both IP6K8S and IP69K, the thinner T71 series is available in single pole single throw (SPST) and single pole double throw (SPDT) configurations. High contact pressure and superior contact wiping action of the OTTO design makes the T71 an excellent choice for switching loads from logic level up to 16 amps. These toggles feature positive detent action for safe switching operation. In conjunction with the unique OTTO snap-action switch mechanism, the T71 offers non-teasible contact transfer.

Designed for tight spaces in control panels and grips, the T71 can be used under severe conditions found in heavy equipment, industrial control, marine and appliance applications.

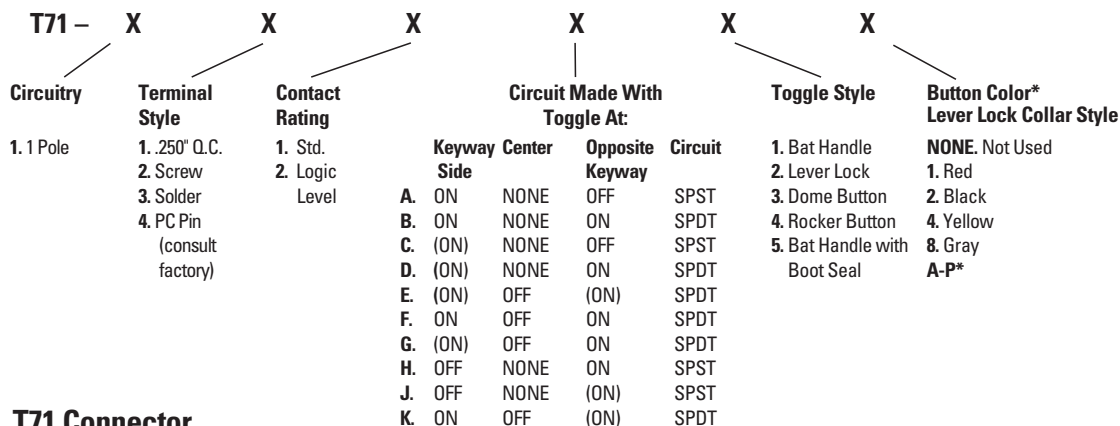
Features:

- Thin version of OTTO's T7 toggle
- Single pole only
- Sealed to IP6K8S and IP69K
- Switches logic level up to 16 amps
- Withstands extreme shock & vibration
- Positive detent, non-teasible contact transfer
- 2 & 3 position, momentary & maintained action
- Choice of terminal styles
- RoHS compliant
- Black matte finish available (contact factory)



Standard Characteristics/Ratings:			
ELECTRICAL RATINGS:			
Load	Sea Level @ 28VDC 60/400 Hz	Sea Level @ 125VAC	Cycles
Resistive	16A	5A	25,000
Resistive	10A	5A	50,000
Inductive	7A	2A	25,000
DWV	1000Vrms	1000Vrms	1000Vrms
Logic Level	10-100mA @ 3-28VDC	N/A	50,000
Electrical Life:	See Rating Chart		
Mechanical Life:	Up to 100,000 cycles		
Seal:	IP6K8S and IP69K		
Operating Temp Range:	-30°C to +85°C		
MATERIALS:			
Case:	Thermoplastic		
Bushing:	Anodized aluminum alloy		
Toggle:	Stainless steel		
Contacts:	Fine silver/silver cadmium oxide		
Logic Level Contacts:	Gold over silver		
Mounting Hardware:	Hex nuts, lockwasher, keyway washer		

T71 PART NUMBER CODE



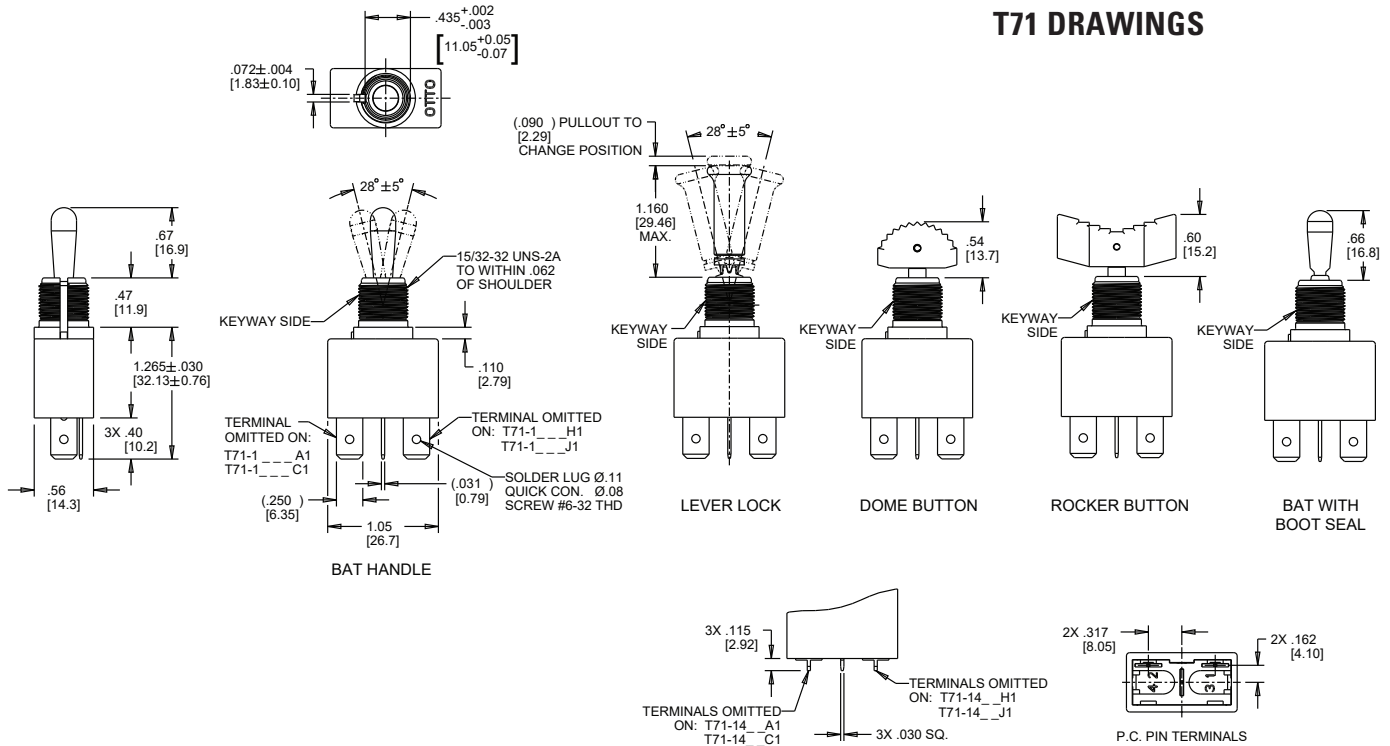
T71 Connector
P/N C405041-XXXXXX

NOTE: () denotes momentary action.

* For A-P options see Locking Collar Configuration table on following page

DESIGNED FOR TIGHT SPACES AND SEVERE CONDITIONS

T71 DRAWINGS



LOCKING COLLAR CONFIGURATIONS

A LOCKED IN THREE POSITIONS 	B LOCKED IN CENTER & KEYWAY SIDE POSITION 	D LOCKED OUT OF CENTER POSITION 	E LOCKED IN CENTER POSITION 	F LOCKED IN OPPOSITE KEYWAY POSITION 	G LOCKED IN KEYWAY SIDE POSITION 	H LOCKED OUT OF CENTER & KEYWAY SIDE POSITION
J LOCKED OUT OF CENTER & OPPOSITE KEYWAY POSITION 	K LOCKED IN CENTER & OPPOSITE KEYWAY POSITION 	L LOCKED OUT OF KEYWAY SIDE POSITION 	M LOCKED OUT OF & INTO OPPOSITE KEYWAY POSITION 	N LOCKED OUT OF OPPOSITE KEYWAY POSITION 	P LOCKED OUT OF & INTO KEYWAY SIDE POSITION 	FIGURES A THRU P DO NOT REPRESENT DETAILS OF CONSTRUCTION. THEY SCHEMATIC ILLUSTRATE LOCKING CONFIGURATIONS & MOM. POSITIONS

TERMINAL STYLES (.031 [.78] THICK)

SCREW	QUICK CONNECT	SOLDER	P.C. PIN

SINGLE POLE SCHEMATICS

