

ILLUMINATED SEALED DOME PUSHBUTTONS

LP30M
ILLUMINATED
PUSHBUTTONS

MOMENTARY ACTION LED ILLUMINATED & WATERTIGHT SEALED

The LP30M offers rugged, sealed construction with LED illumination in a large, 30mm diameter, button. This precision snap-action switch is designed for use in off-highway, material handling, industrial controls, marine, medical and other demanding applications. Choose from the standard mounting styles and electrical ratings, or contact us for custom configurations.

The LP30M features IP64 dusttight and moistureproof or IP68S watertight sealed construction. In addition, sealed terminals protect the contact area from hostile environments and solder flux on both sealed and unsealed models. This switch is offered with low profile or concave style buttons in translucent white, red or amber with or without legends/icons. Six standard LED colors are available.

The LP30M is available in standard and low operating force utilizing OTTO's quality precision snap-action switch mechanism. This momentary switch is available as normally open (NO) or two circuit. High contact pressure, amazingly low contact resistance and extremely low contact bounce are all the result of the OTTO snap-action mechanism. Extra-long electrical life and precise trip point offer added value and precision operation.

Features:

- Large 30mm diameter button
- Aluminum housing with either clear or black color
- LED lighted with the ability to accommodate 2, 12 & 24VDC power & includes reverse voltage protection
- Watertight to IP68S or moistureproof & dusttight to IP64
- Low profile or concave style button in translucent white, red or amber with or without legends/icons
- Logic level option
- Solder terminals or wire leads are available



Standard Characteristics/Ratings:

ELECTRICAL RATINGS:

Load	Sea Level @ 28VDC or 115 VAC
Resistive	5A
Inductive	3A
Lamp	1A
Motor	3A
DWV	1000Vrms through switch contacts only
Logic Level	10mA @ 5VDC
Electrical Life:	Standard 25,000 cycles, Logic Level 250,000 cycles

LIGHTING:

Light Source Voltage	Forward Current	Max Forward Current	Typ. Forward Voltage (dep. on color)	Voltage Max (dep. on color)
2V ^②	20mA	30mA	2V to 3.2V	2.5V to 4V
12V	20mA	30mA	12V	14V
24V	20mA	30mA	24V	28.6V

MECHANICAL:

Mechanical Life:	250,000 cycles
Total Travel:	.080 +/- .015
Overtravel:	.010 min.
Operating Force:	(See chart)
Operating Temp:	-55°C to +85°C
Seal:	IP64 or IP68S

MATERIALS:

Case:	Anodized aluminum alloy
Button:	Thermoplastic
Mounting Hardware:	Hex nut, panel gasket (watertight only)

LP30M PART NUMBER CODE

LP30M	-	X	X	X	X	X	X	XX			
Button Style & Case Style		Circuit / Rating / Termination*		Light Source ^①		Seal Level	Operating Force	Case Color	Button Color	Legend	
B. Low Profile Dome, Std. Diameter Case, with Panel Seal Option D. Concave Button, Std. Diameter Case, with Panel Seal Option		1. SPST N.O., Std Current, SDR Term, Momentary 2. SPDT 2-Circuit, Std. Current, SDR Term, Momentary 3. SPST N.O., Logic Level, SDR Term, Momentary 4. SPDT 2-Circuit, Logic Level, SDR Term, Momentary 5. SPDT 2-Circuit, STD Current, 48 +/- 3 inch, 20 AWG Leads, Momentary 6. SPDT 2-Circuit, Logic Level, 48 +/- 3 inch, 20 AWG Leads, Momentary		A. 2V Red LED ^② B. 2V Green LED ^② C. 2V Amber LED ^② G. 12V Red LED H. 12V Green LED J. 12V Amber LED K. 24V Red LED L. 24V Green LED M. 24V Amber LED	N. 2V Blue LED ^② Q. 12V Blue LED R. 24V Blue LED S. 2V Deep Green LED ^② U. 12V Deep Green LED V. 24V Deep Green LED W. 2V White LED ^② X. 12V White LED Y. 24V White LED		1. Dusttight 2. Watertight	2. 2.5 +/- 0.5 lbs. 4. 4 +/- 1 lbs.	1. Silver 2. Black 3. Red 4. Blue 5. Tangerine (Pantone 123U)	A. Transparent Amber R. Translucent Red W. Translucent White ^① B. Translucent White, Painted Black for Backlit Legend	SAE Legend, Two Digit Code: please refer to Appendix STOP HERE for Switches without Legends

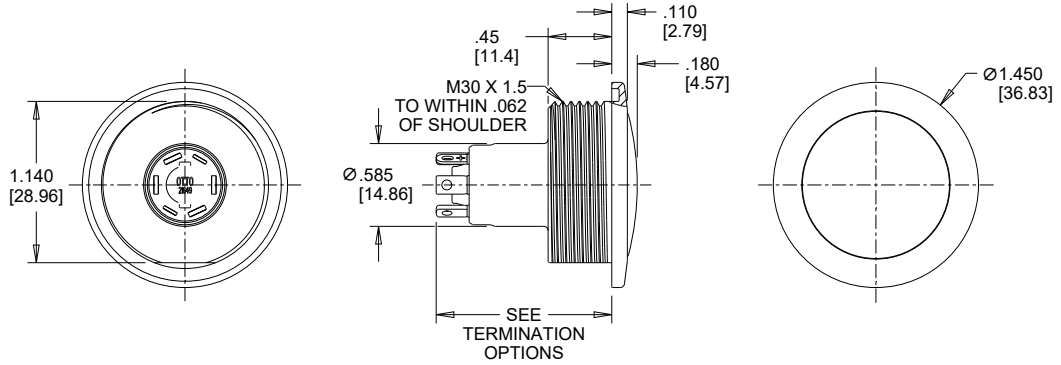
* For wired switches, TXL wires per SAE J-1128 (cross linked polyethylene Jacket) are provided.

① All green and blue LEDs are recommended for use with translucent button color W (white) only. Due to the lower intensity of Amber LEDs, the Amber button is transparent (see through), instead of translucent.

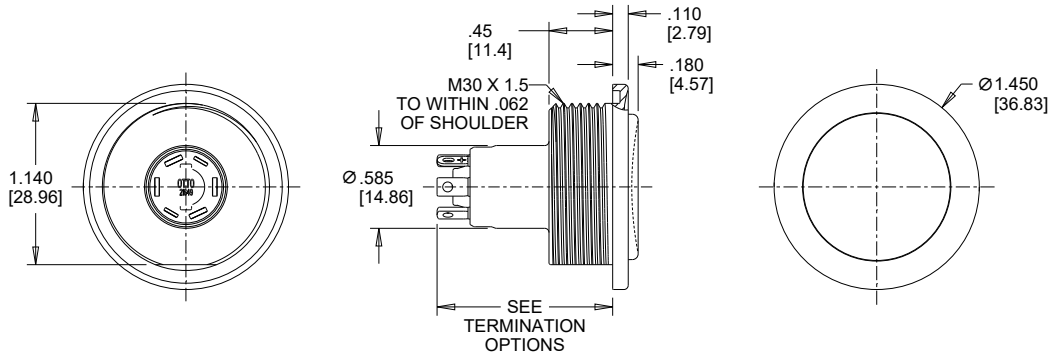
② 2 volt switches are intended for use with external resistor

MOMENTARY ACTION LED ILLUMINATED & WATERTIGHT SEALED

BUTTON AND CASE STYLE 'B'

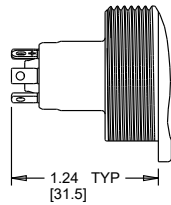


BUTTON AND CASE STYLE 'D'



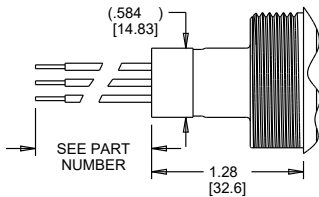
TERMINATION OPTIONS

STANDARD SOLDER TERMINALS

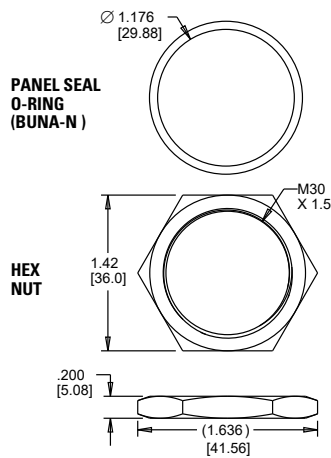


WIRED TERMINATION

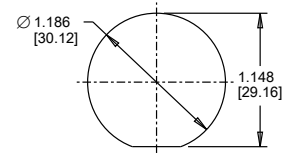
WIRE COLORS:
N.C.: GREEN (2)
N.O.: WHITE (2)
LED +: RED (1)
LED -: BLUE (1)



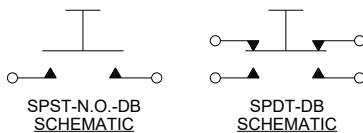
MOUNTING HARDWARE



RECOMMENDED PANEL CUTOUT



SWITCH SCHEMATICS



LED SCHEMATIC

