

SHORTER, LOGIC LEVEL TACTILE MINI TRIM

LOGIC LEVEL 4-WAY OR 4-WAY PLUS CENTER PUSHBUTTON TACTILE MINI TRIM

TK with
Molex ConnectorTK with
Wire Leads
(Coming Soon)

The TK Mini Trim is a tactile, 4-way, logic level, momentary contact switch with a center pushbutton option designed to fit easily in grips and control panels. The TK's shorter behind panel length is nearly 2/10" shorter than OTTO's traditional T4-T Mini Trim allowing for increased functionality and efficiency in any application.

The TK offers three panel sealing level choices: unsealed, dusttight to IP64, or watertight to IP68S.

The TK is a tactile switch which offers the operator a positive click action indicating actuation, and is ideal for grip applications in aircraft, off-road and material handling.

Features:

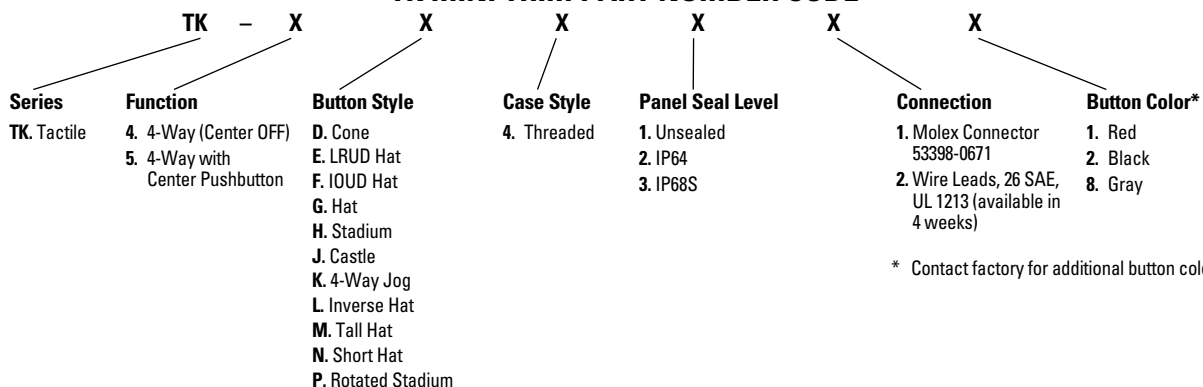
- Logic level, normally open
- Shorter behind panel
- 4-way or 4-way with center pushbutton momentary toggle action
- Positive click action indicates actuation
- Panel sealed to IP64, IP68S or unsealed
- Wire leads or Molex connector
- RoHS compliant

Standard Characteristics/Ratings:

ELECTRICAL RATINGS:

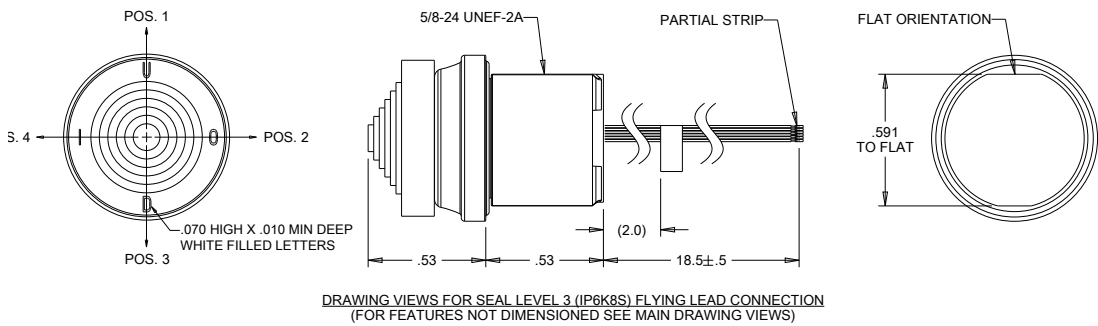
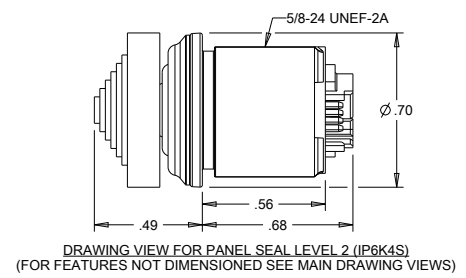
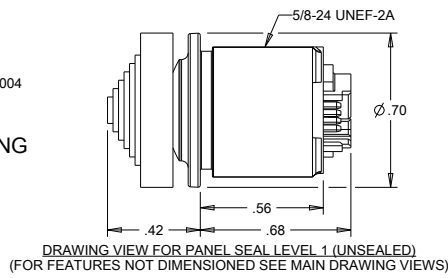
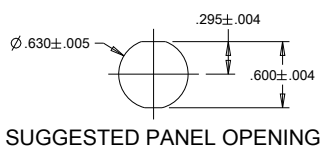
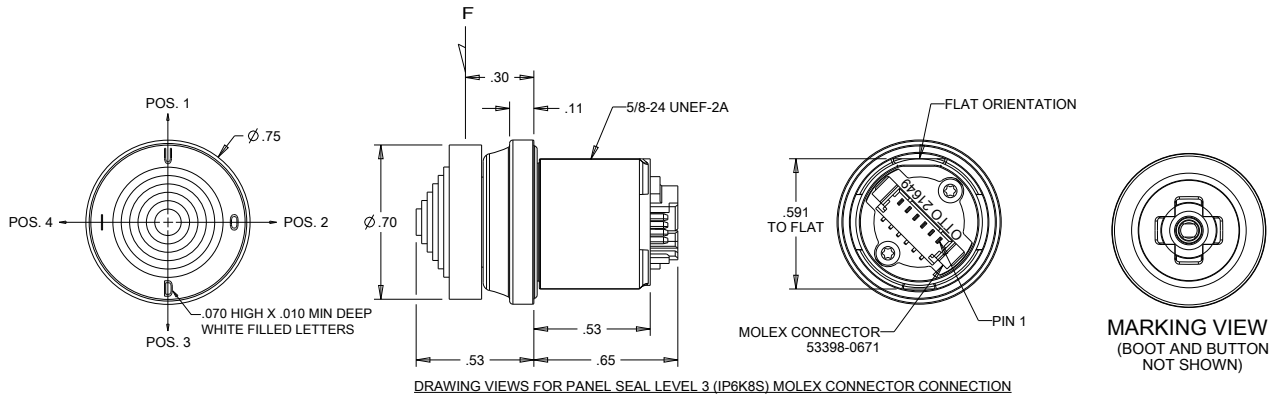
Load	Rating
Resistive	50mA max @ 12VDC
Electrical Life:	1,000,000 cycles
Mechanical Life:	1,000,000 cycles
Seal:	IP64, IP68S or unsealed
Operating Temp Range:	-40°C to +85°C
Operating Force:	1.0 lb. +/- 0.5 lb.
Total Travel Angle:	18° +/- 4°
Pushbutton Operating Force:	1.5 lb. +/- 0.5 lb.
Total Pushbutton Travel:	.05 lb. +/- .02 lb.
Max. Allowable Force:	22 lbs. in any direction
MATERIALS:	
Case:	Thermoplastic, black
Button:	Thermoplastic
Bellows:	Black silicone
Connection:	Connector or wire leads
Mounting Hardware:	Hex nut

TK MINI TRIM PART NUMBER CODE



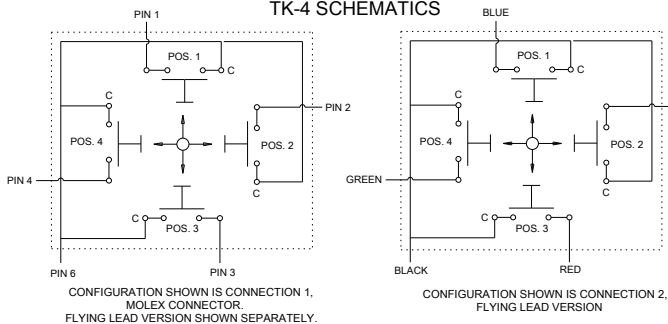
TK Mini Trim Button Styles are shown on the Button Styles page and in the appendix.

LOGIC LEVEL 4-WAY OR 4-WAY PLUS CENTER PUSHBUTTON TACTILE MINI TRIM

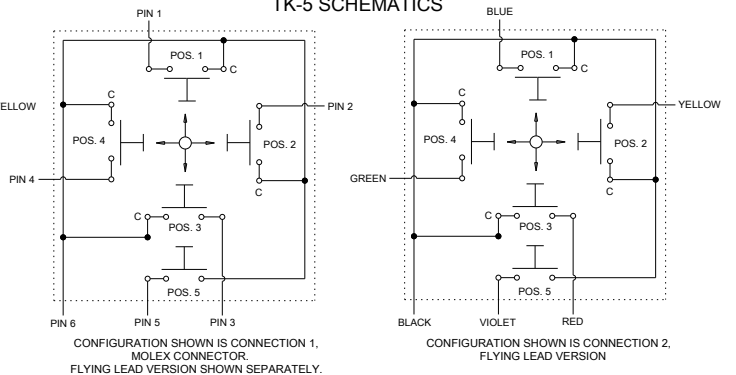


TK Series Schematics

TK-4 SCHEMATICS



TK-5 SCHEMATICS

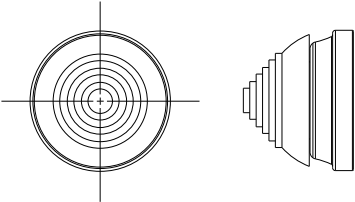
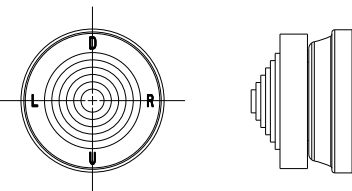
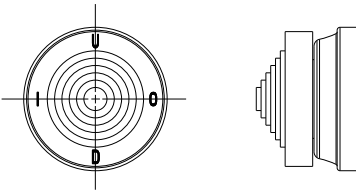
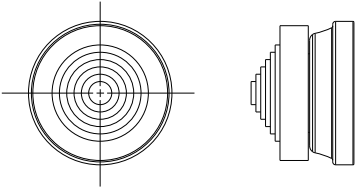
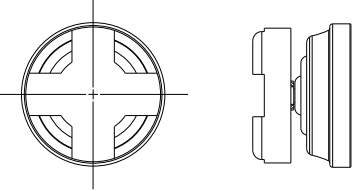
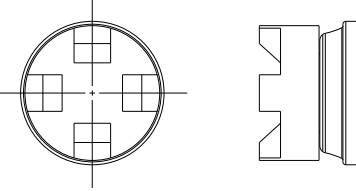
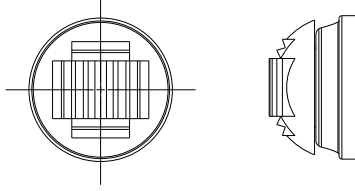
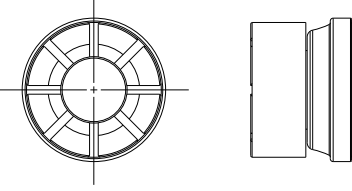
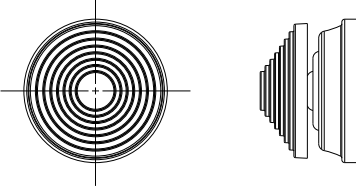
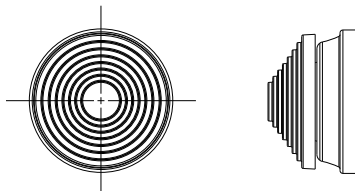


TK MINI TRIM BUTTON STYLES

BS
MINI TRIM
BUTTON STYLES

TK MINI TRIM BUTTON STYLES

TK Mini Trim Button Styles

<p>D – CONE</p> 	<p>E – LRUD HAT</p> 	<p>F – IOUD HAT</p> 
<p>G – HAT</p> 	<p>H – STADIUM</p> 	<p>J – CASTLE</p> 
<p>K – 4-WAY JOG</p> 	<p>L – INVERSE HAT</p> 	<p>M – TALL HAT</p> 
<p>N – SHORT HAT</p> 	<p>P – STADIUM ROTATED</p> 