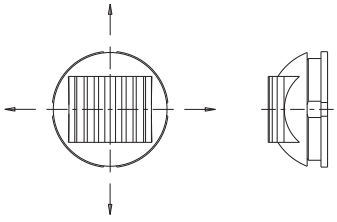
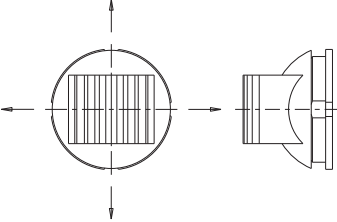
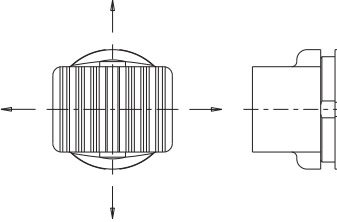
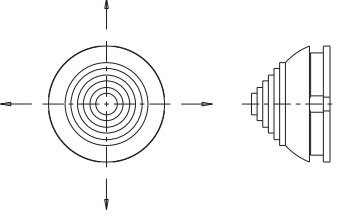
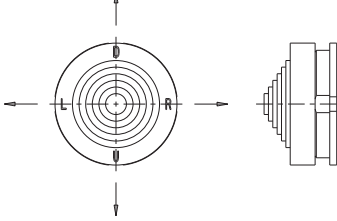
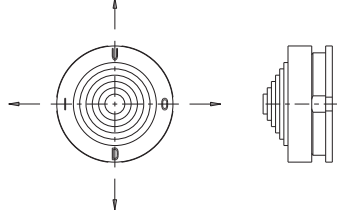
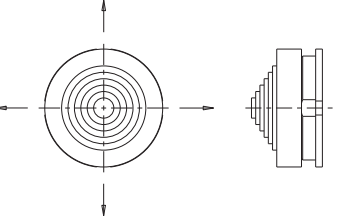
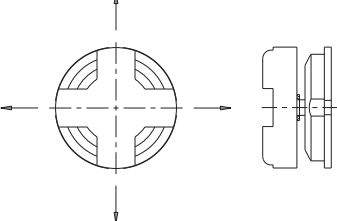
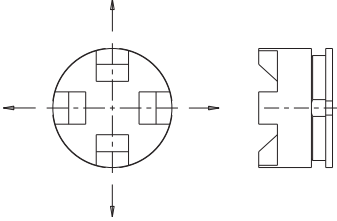
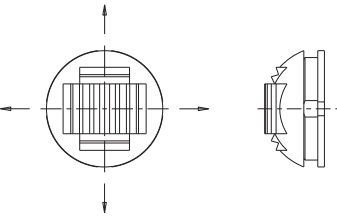
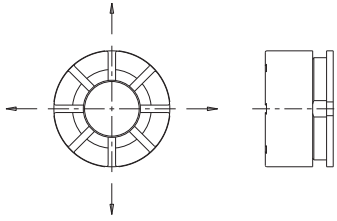
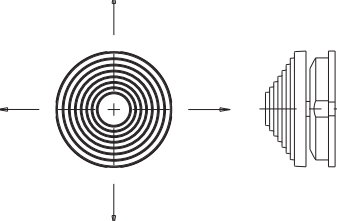
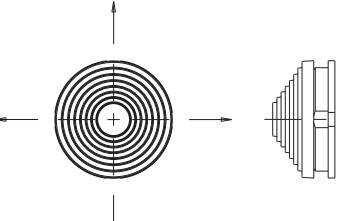


# T4-T Mini Trim Button Styles

<p>A - 2-WAY JOG</p> 	<p>B - TALL JOG</p> 	<p>C - ROCKER</p> 
<p>D - CONE</p> 	<p>E - LRUD HAT</p> 	<p>F - IOUD HAT</p> 
<p>G - HAT</p> 	<p>H - STADIUM</p> 	<p>J - CASTLE</p> 
<p>K - JOG</p> 	<p>L - INVERSE HAT</p> 	<p>M - 4-WAY TALL HAT</p> 
<p>N - 4-WAY SHORT HAT</p> 	<p>P - STADIUM ROTATED</p> 