

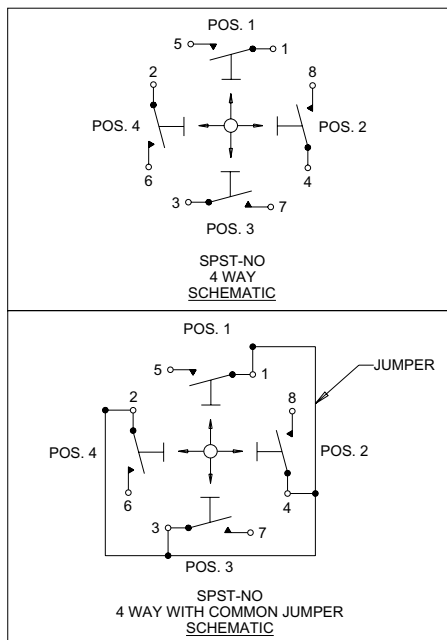
## T4-T 4-Way Momentary Mini Trim

Tactile switches remain a favorite among design engineers because the positive detent indicates circuit transfer to the operator. OTTO's T4-T mini trim switch provides a 4-way momentary toggle action with detent that indicates actuation.

The T4-T series for commercial and military-grade applications is ideal for grips in aircraft and off-highway vehicles.

### Product Features

- 4-way momentary toggle action
- Sealed to IP64, IP68S or water resistant per MIL-STD-810F, method 506.4, procedure 3 (drip)
- Low level options
- Commercial and military-grade versions
- Choice of button styles and colors
- RoHS/WEEE/Reach compliant



### Standard Characteristics/Ratings:

#### ELECTRICAL RATINGS:

##### Load Sea Level @ 28VDC

Resistive	2A
Inductive	1A
DWV	1000Vrms
Low Level	10mA @ 30mV

**Electrical Life:** 100,000 cycles

**Mechanical Life:** 500,000 cycles

**Seal:** IP64, IP68S or water resistant per MIL-STD-810F, method 506.4, procedure 3 (drip)

**Operating Temp Range:** -55°C to +85°C

**Operating Force:** 0.75 lb. +/- 0.25 lb.

**Overtavel:** 1.5° min

**Pretravel:** 9.5° max

**Return Point:** 4° min

#### MATERIALS:

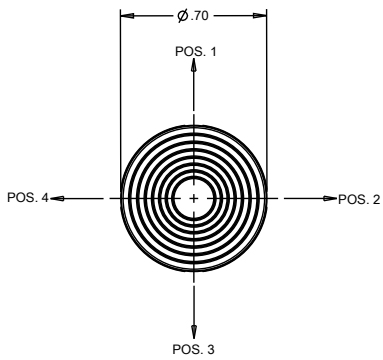
**Case:** Black Thermoplastic

**Button:** Thermoplastic

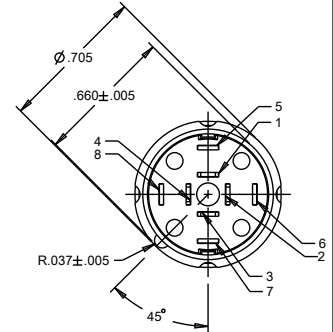
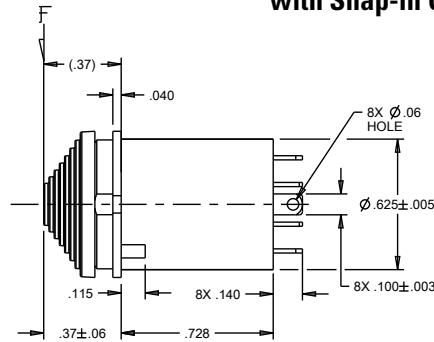
**Terminals:** Copper or brass  
Gold over silver for low level

**Mounting Hardware:** None provided

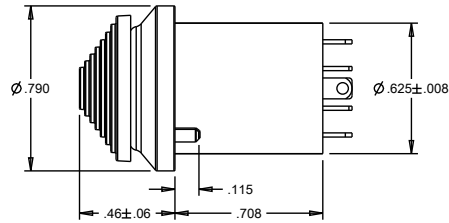
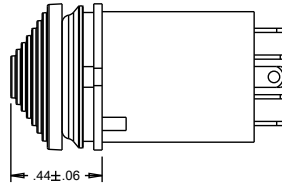
## Short Hat Button Style with Snap-in Case



## Short Hat Button Style with Snap-in Case



DRAWING VIEWS FOR SEAL LEVEL 3 (DRIP)



<b>T4-T Mini Trim Button Styles</b>	<b>A - 2-WAY JOG</b>	<b>B - TALL JOG</b>	<b>C - ROCKER</b>	<b>D - CONE</b>
	<b>E - LRUD HAT</b>	<b>F - IOUD HAT</b>	<b>G - HAT</b>	<b>J - CASTLE</b>
	<b>K - 4-WAY JOG</b>	<b>L - INVERSE HAT</b>	<b>M - TALL HAT</b>	<b>N - SHORT HAT</b>
	<b>P - STADIUM ROTATED</b>			