
HEAVY EQUIPMENT & MATERIAL HANDLING GRIPS

OTTO Controls manufactures a wide range of styles in its G3 Universal Grips series. G3 grips deliver high performance and long-lasting durability and are ideal for vehicles and machinery in construction, agriculture, material handling, mining and many other commercial and industrial applications.

All grips have a modular design and accommodate OTTO JH, JHL and JHM series Hall effect joysticks. Visit the Joystick Bases

and Grips section of the website to see integrated joystick/grip assemblies.

Customize OTTO grips to meet unique requirements or choose from many standard faceplates and features. Grips come with a variety of pushbuttons, rockers, toggles and Hall effect switches. Triggers are available on most grip handles.

G3 UNIVERSAL AND CONTROL GRIP MODELS



G3-A: smaller grip with up to four switches on its faceplates and has a Z-axis option



G3-CK: medium, ergonomic grip with eight faceplate pushbuttons and an optional side keypad



G3-B: larger grip that fits as many as six faceplate switches and has a Z-axis option



G3-D: control grip that can be configured with a rocker or pushbutton at the top of the handle and an Operator Presence switch



G3-C: medium, ergonomic grip with more switch content, a Z-axis option and other advanced functions



G3-E: control grip with five or seven pushbuttons and a rocker on the handle



G3-M: medium grip that fits up to four switches on its faceplate

HEAVY EQUIPMENT & MATERIAL HANDLING GRIPS

G3-A is a smaller, rugged grip for demanding applications. Panel mount the G3-A as a fixed control grip or combine with a JH, JHL or JHM series joystick for a complete assembly.

Ordering the optional field-replaceable faceplate configuration enables customers to later change out the faceplate in the field quickly and easily. Use only a screwdriver to swap out the faceplate; no need to uninstall the grip.

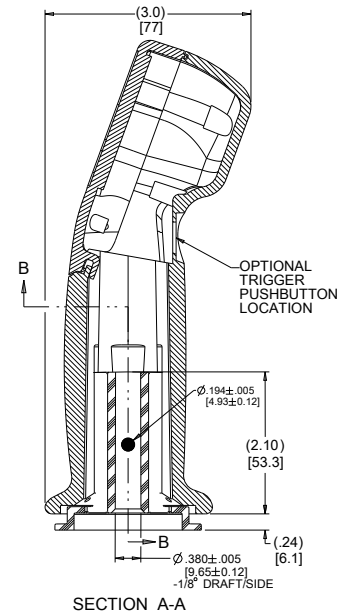
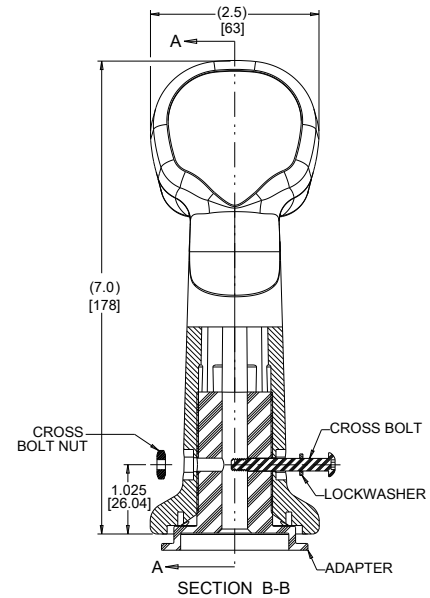
Features:

- Compatible with OTTO JH, JHL and JHM series Hall effect joysticks
- Choose from 17 standard faceplates with a mix of rockers and pushbuttons, or customize with hundreds of switch combinations
- Trigger pushbutton option in the handle
- Field-replaceable faceplate configuration available
- Z-axis option with +/-25° rotation
- Modular design provides high level of customization and reduces the need for tooling charges
- Various mounting and termination styles
- Includes mounting adapter with boot ring



G3-A Universal Grip with AB Faceplate

G3-A Universal Grip with Blank AS Faceplate



Standard Characteristics/Ratings:				
ELECTRICAL RATINGS:				
K1 Switches				
Electrical Rating @ 28 VDC	16 AMP Resistive Load; 7 AMP Inductive Load			
Electrical Life	25,000 Cycles at Full Load. 100,000 Cycles at Logic Level (10mA@5VDC)			
P9 Switches				
Electrical Rating @ 28 VDC	5 AMP Resistive Load; 3 AMP Inductive Load			
Electrical Life	25,000 Cycles at Full Load. 1,250,000 Cycles at Logic Level (10mA@5VDC)			
MECHANICAL RATINGS				
K1 Switches				
Mechanical Life	100,000 Cycles			
P9 Switches				
Mechanical Life	1,250,000 Cycles			
ENVIRONMENTAL:				
Operating Temperature:	Units	Min	Typ	Max
	° C	-40*	20	85
K1 Switches				
Switch Seal Integrity	Watertight per IP68S (1 meter) and IP69K			
P9 Switches				
Switch Seal Integrity	Watertight per IP68S (1 meter) and IP69K			
Grip				
Seal Integrity	Unsealed			
MATERIALS:				
Handle	Thermoplastic, Glass Reinforced, Black			
Faceplate	Thermoplastic, Glass Reinforced, Black			
Mounting Hardware	#10 Crossbolt with Nut and Lockwasher			
Wires	22 AWG, UL Style 1569, (20" Long)			

* Minimum operating temperature is -30°C when a K1 Switch is installed.

Note: All dimensions are for reference only.

HEAVY EQUIPMENT & MATERIAL HANDLING GRIPS

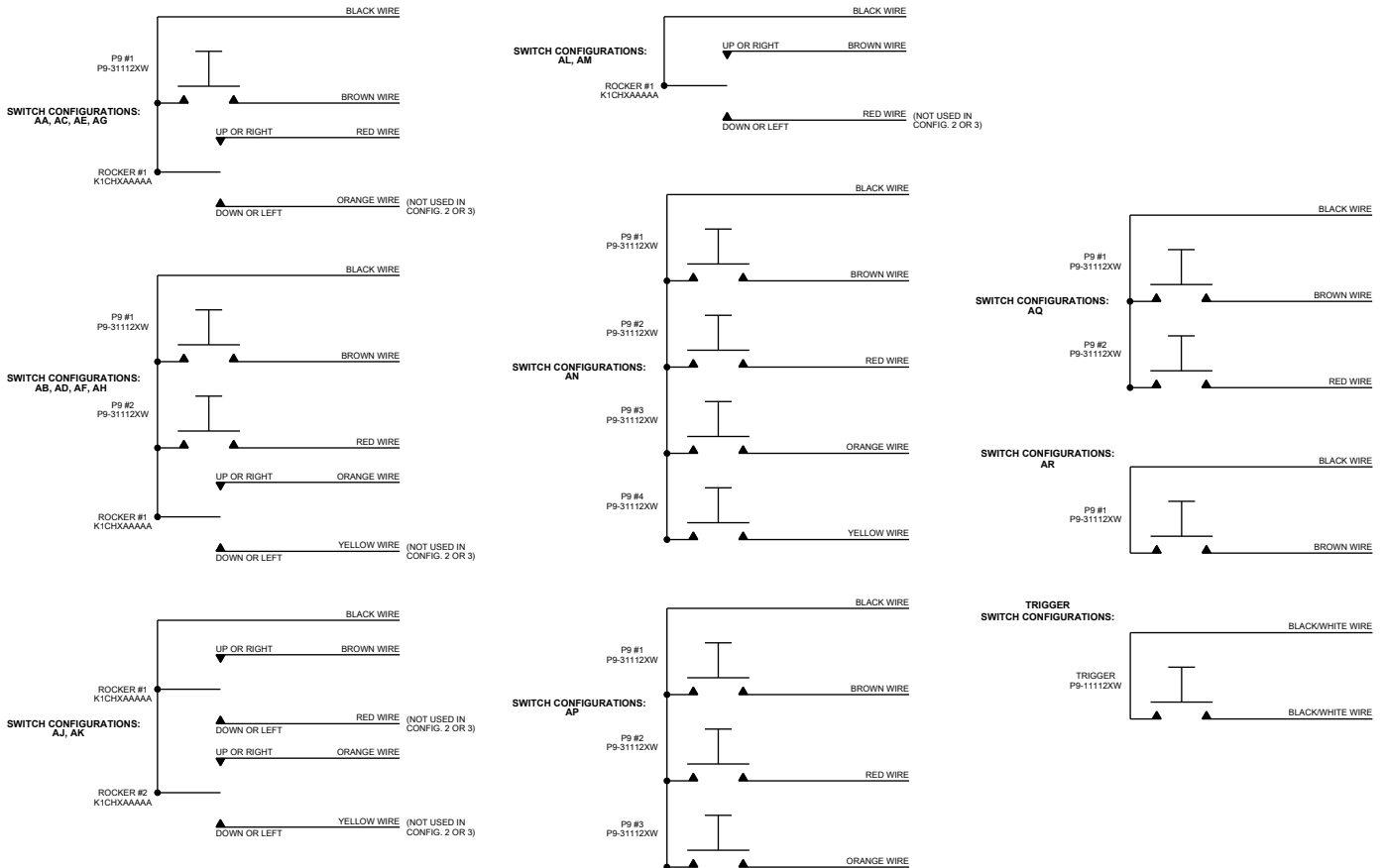
G3-A UNIVERSAL GRIP PART NUMBER CODE

G3-A	X	XX	X	X	X	X	X	X	X
Configuration	Switches	Trigger Pushbutton in Handle	K1 Rocker #1 Style - Black *	K1 Rocker #2 Style - Black *	P9 Button #1 Color	P9 Button #2 Color	P9 Button #3 Color	P9 Button #4 Color	P9 Button #4 Color
1. Grip With Adapter	See	1. None	1. None	1. None	1. Red	1. Red	1. Red	1. Red	1. Red
2. Grip Without Adapter	Configuration Sheet on next page	2. Black	2. On-Off	2. On-Off	2. Black	2. Black	2. Black	2. Black	2. Black
3. Replaceable Faceplate With Adapter**		3. Red	3. (On)-Off	3. (On)-Off	3. Orange	3. Orange	3. Orange	3. Orange	3. Orange
4. Replaceable Faceplate Without Adapter**			4. On-Off-On	4. On-Off-On	4. Yellow	4. Yellow	4. Yellow	4. Yellow	4. Yellow
			5. (On)-Off-(On)	5. (On)-Off-(On)	5. Green	5. Green	5. Green	5. Green	5. Green
					6. Blue	6. Blue	6. Blue	6. Blue	6. Blue
					7. Violet	7. Violet	7. Violet	7. Violet	7. Violet
					8. Gray	8. Gray	8. Gray	8. Gray	8. Gray
					9. White	9. White	9. White	9. White	9. White
					N. None	N. None	N. None	N. None	N. None

* () denotes momentary. On position or momentary position is up or to the right. Contact factory for rocker legends and additional color options.

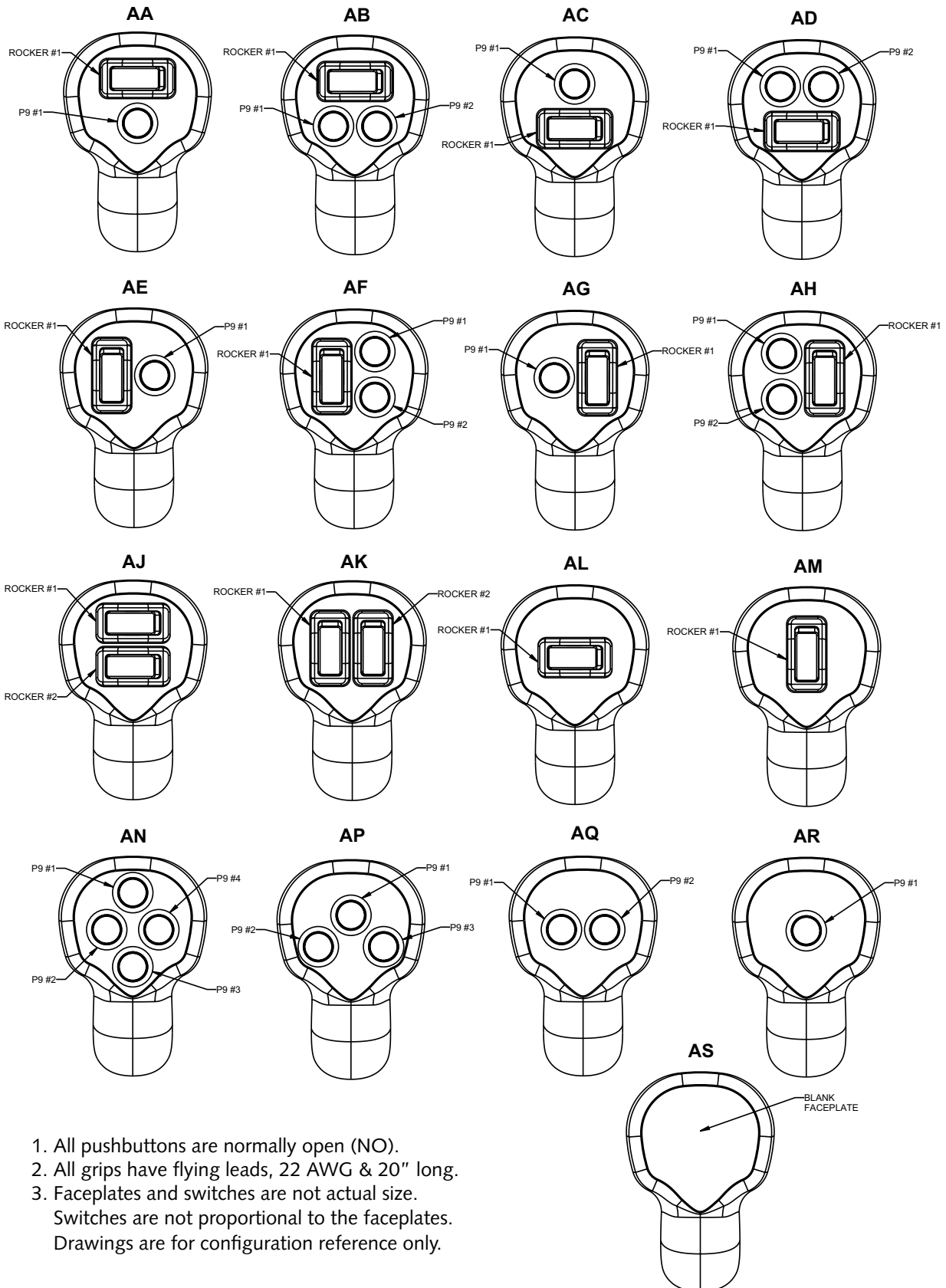
** Allows the grip faceplate to be removed and replaced or changed without uninstalling the grip. The faceplate switches are connectorized for easy removal.

G3-A SCHEMATICS



HEAVY EQUIPMENT AND MATERIAL HANDLING GRIPS

G3-A SWITCH CONFIGURATIONS



1. All pushbuttons are normally open (NO).
2. All grips have flying leads, 22 AWG & 20" long.
3. Faceplates and switches are not actual size.
Switches are not proportional to the faceplates.
Drawings are for configuration reference only.