

RGB LP9

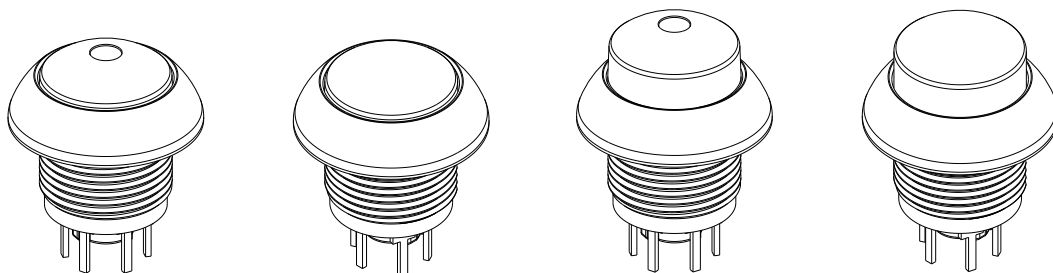
Multi-Colored LED Illuminated Pushbutton

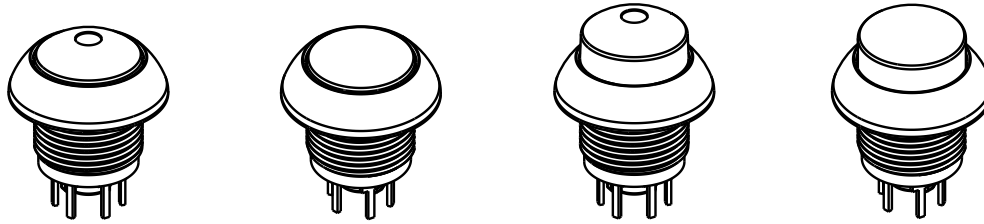


OTTO has the industry's only watertight RGB LED lighted pushbutton that can offer nearly any color.

Features:

- **RGB LED accommodates nearly infinite colors**
- **Flush or raised button style**
- **Glossy or matte finish bezel**
- **Full-button illumination with glossy finish**
- **Available in 4 different button styles**
- **Positive tactile feedback**
- **Short behind-panel depth**
- **Withstands extreme shock and vibration**
- **Watertight to IP68S**
- **RoHS compliant**
- **2VDC LED input**





LP9 -

BUTTON STYLE/TEXTURE/LIGHTING TYPE

1. FLUSH DOME STANDARD FINISH LIGHTPIPE
2. RAISED DOME STANDARD FINISH LIGHTPIPE
3. FLUSH DOME MATTE FINISH LIGHTPIPE
4. RAISED DOME MATTE FINISH LIGHTPIPE
5. FLUSH DOME STANDARD FINISH FULLY ILLUMINATED**
6. RAISED DOME STANDARD FINISH FULLY ILLUMINATED**

CASE STYLE

1. STANDARD ROUND BEZEL, THREADED
2. STANDARD ROUND BEZEL, SNAP-IN

TERMINAL STYLE

3. RGB (P.C. PIN ONLY)

CIRCUIT FORM

1. N.O.
3. 2 CIRCUIT

SWITCH ACTION

1. STANDARD FORCE SNAP-ACTION
2. LOW FORCE SNAP-ACTION

LIGHT SOURCE

- L. 2V RGB LED

CASE COLOR

1. RED
2. BLACK
3. ORANGE
4. YELLOW
5. GREEN
6. BLUE
7. VIOLET
8. GRAY
9. WHITE

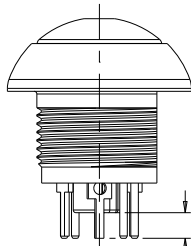
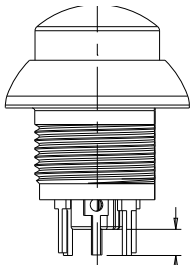
BUTTON COLOR

1. RED
 2. BLACK
 3. ORANGE
 4. YELLOW
 5. GREEN
 6. BLUE
 7. VIOLET
 8. GRAY
 9. WHITE
- A. TRANSLUCENT WHITE (FULLY ILLUMINATED ONLY)**

**ONLY AVAILABLE WITH BUTTON COLOR OPTION A. BUTTON COLOR IS TRANSLUCENT WHITE IN UNLIGHTED STATE.

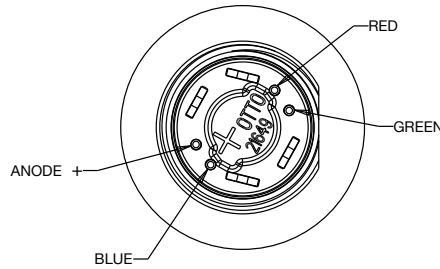
Application Note

*For additional information, please contact manufacturer

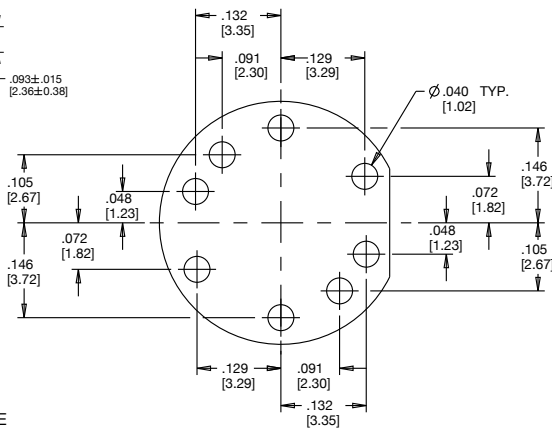
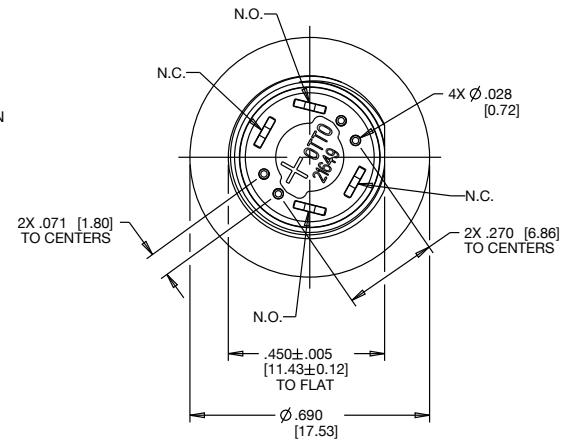


.093±.015
[2.36±0.38]

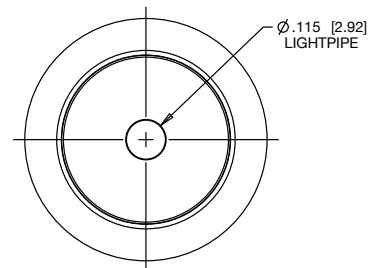
.093±.015
[2.36±0.38]



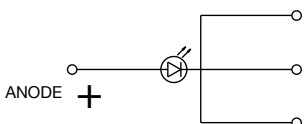
RGB PIN-OUT



RGB P.C. MOUNTING PATTERN SCALE 6:1



RGB LED WITH P.C. TERMINALS LIGHTPIPE OPTION SHOWN FLUSH BUTTON ROUND THREADED



L.E.D. SCHEMATIC
RGB LED ONLY

- RED CATHODE
- GREEN CATHODE
- BLUE CATHODE